

DATA SHEET

EagleEye CUBE

HD camera with intelligent group framing and legendary audio turns passive meetings into powerful experiences

More than half of what we convey is based on body language, such as eye contact, posture, and facial expressions. Being able to see and hear all meeting participants clearly ensures that meaning is clear, and collaboration is more productive because people are more attentive and engaged.

POWERFUL VIDEO EXPERIENCES FOR SMALL GROUPS

Companies require enhanced experiences for all participants in remote meetings. The problem with most video technology in smaller rooms is a narrow field of view that cuts people on the edges out of the frame. In other rooms, everyone is in the frame, but look a million miles away because the camera can't zoom and crop the frame simultaneously to keep everyone in focus.

The EagleEye Cube camera solves this problem with a wide field-of-view and more importantly, intelligent group framing. Everyone is in the frame, and clearly visible, with HD resolution and 5X zoom that uses a 4K sensor to deliver great quality in up close shots. Meeting participants stay hands-free, avoiding that vertigo-like spin that happens during manual adjustment. With distractions averted, productive collaboration continues uninterrupted.

LEGENDARY AUDIO PERFORMANCE

Polycom is known for enhancing communications in business environments. Whether you use the two built-in microphones with crystal-clear pickup or integrate audio with RealPresence Group Series or Polycom Trio-led rooms, no word will go unheard. The combination of video and voice provides an entirely new perspective for small group meetings to fuel collaboration.

FLEXIBLE INSTALLATION AND CENTRALIZED MANAGEMENT

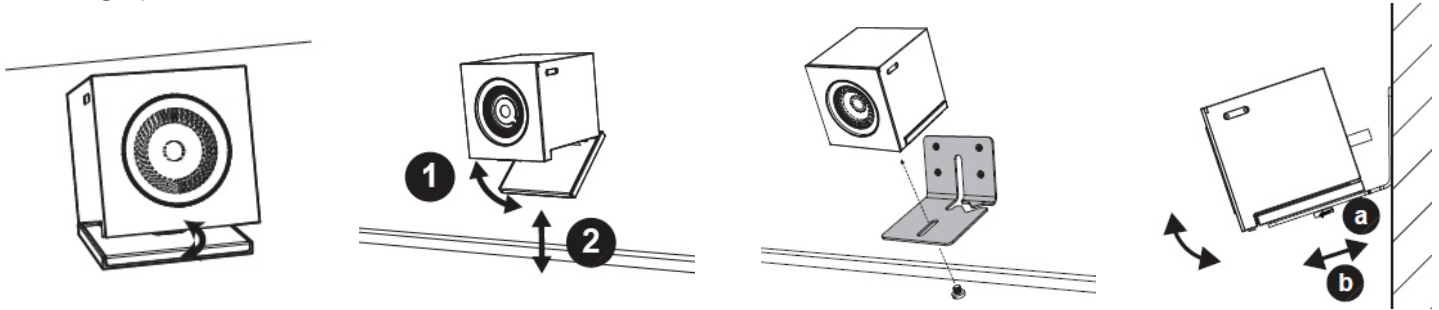
The EagleEye Cube provides value to the IT professionals responsible for its installation and management. Simply place the camera on the display in the room or mount it on the wall. Management is simple through the RealPresence Group Series or Polycom Trio device it's connected to, or through cloud management (PDMS-E), or video infrastructure (RealPresence Resource Manager).



BENEFIT STATEMENTS

- Get up close and collaborate with hands-free, intelligent group framing, 4K sensor and 5X digital zoom
- Two built-in mics with crystal-clear pickup for richer discussions
- Consistent performance for small groups through integration with RealPresence Group Series and Polycom Trio
- Flexible installation—place on the display or mount to the wall—no cables to install or hide

Mounting options— wall mount kit included



PRODUCT SPECIFICATIONS

EagleEye Cube Features

- Integrated privacy shutter
- 4K Sensor
- 1080p60 (HDCI) / 4K30 (USB)
- Mechanically adjustable tilt
- Anti-flicker compensation
- Multi-color LED

CAMERA

- 1/2.5" CMOS
- f/2.0 aperture (HDCI)
- f/2.8 aperture (USB)
- 4K sensor
- Min Illumination 50 lux
- Horizontal FOV - 110° / 120° DFOV (HDCI) 111° / 121° (USB)
- Vertical FOV - 66° (HDCI) 75° (USB)
- Automatic exposure and white balance
- Lens Focal Length - f=3mm (HDCI), 2.29mm (USB)
- Focus - Fixed
- 5x electronic zoom (2.0x lossless)
- Vertical tilt – adjustable via mount

AUDIO

- 2 built-in microphones

INPUT/OUTPUT

- USB 3.0
- HDCI, 60 pin (incl: power, Comm, IR, HDMI, audio)

COMPATIBLE PRODUCTS

- Poly G7500 2.1 or above (USB)
- Visual+ 5.9.0.1 and Companion App 1.2.0 (USB)
- Polycom Trio™ 8500* with VisualPro 6.2.1 or above (HDCI)
- Polycom Trio™ 8800* with VisualPro 6.2.1 or above (HDCI)
- RealPresence Group Series with 6.2.1 or above (HDCI)

CAMERA FIRMWARE UPDATES

The EagleEye Cube HDCI camera receives firmware updates through software updates through connected hardware. USB version updates through Companion App, Visual+ or Windows Software Update Utility.

AUTO GROUP FRAMING MODES

- Frame Speaker (USB only), Frame Group or off
- Framing size: Tight, Medium, Wide
- Framing speed: Fast, Normal, Slow

DIMENSIONS (W X H X D)

- 79.75 x 81.08 x 80.5 mm

POWER CONSUMPTION

- 4 Watts, 0.34A, DC12V (HDCI)
- 0.9A, 5V (USB)

APPROVALS

FCC pt. 15 (USB & HDCI)
 ETSI EN 550332 (USB & HDCI)
 ETSI EN 55024 (USB & HDCI)
 ETSI EN61000-3-2 (USB)
 ETSI EN61000-3-3 (USB)
 ETSI EN61000-4-2 (USB & HDCI)
 ETI EN61000-4-3 (USB & HDCI)
 EN60950 / EN 62368
 Korea KCC (USB & HDCI)
 Russia EAC (USB & HDCI)

SAFETY

- NRTL Safety
- CB Safety

OTHER FEATURES

- Participant count
- Skin enhancement
- Wide dynamic range
- Lens distortion correction (HDCI)

TEMPERATURE RANGE

- Operating: 0°C to 45°
- Non-operating: -40°C to 70°C

HUMIDITY RANGE

- Operating: 15%-80%
- Non-operating: 5% to 95% (non-condensing)

ALTITUDE RANGE

- Operating: -50 feet to 10K feet
- Non-operating: -50 feet to 35K feet

COUNTRY OF ORIGIN

China

WARRANTY

One (1) year

PART NUMBERS

- EagleEye Cube: 7230-61960-001 (HDCI), 7230-63695-001 (USB)